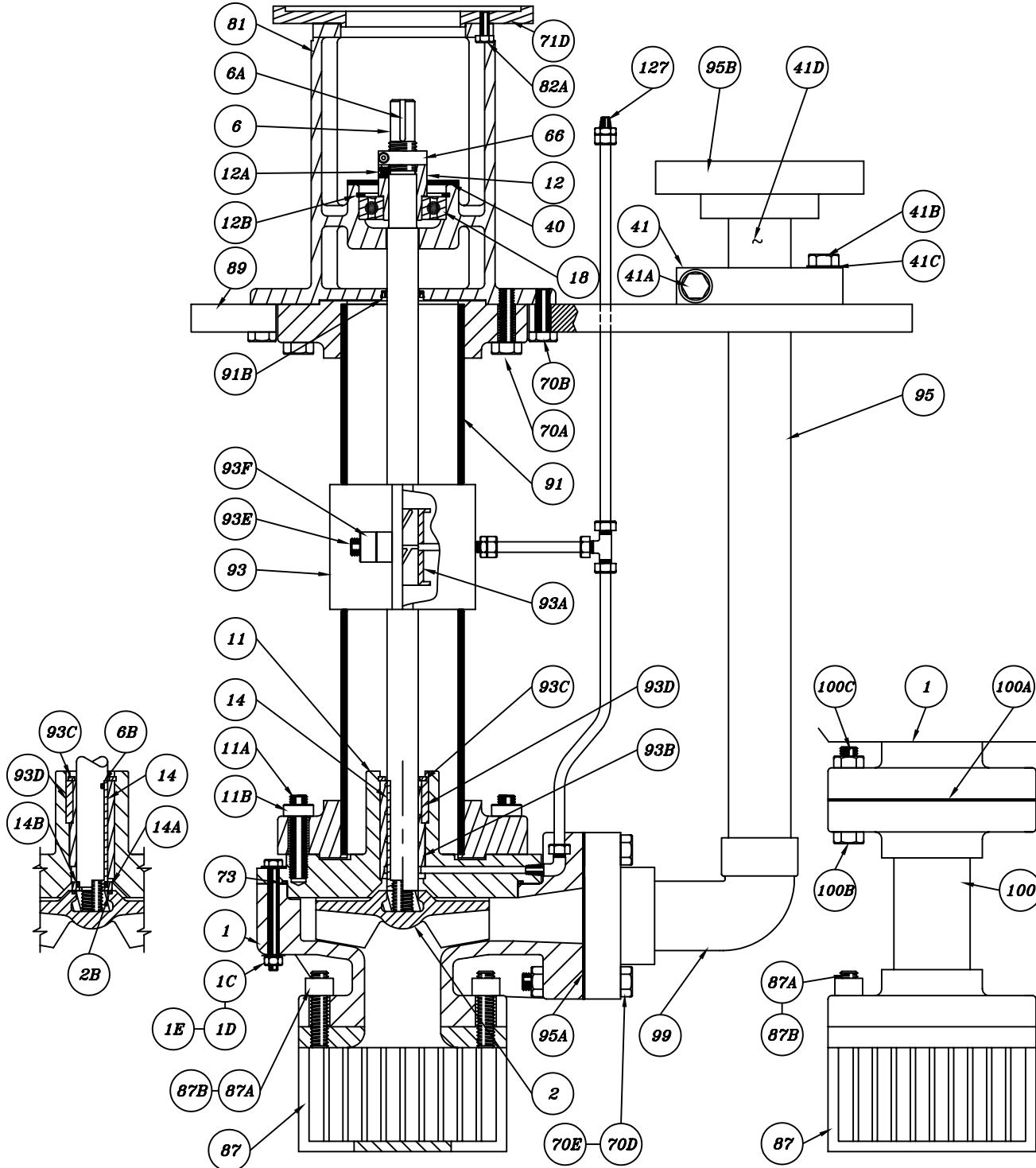


DATE	SYM.	REVISION RECORD	AUTH.	D.R.	CK.



ITEM	DESCRIPTION	REQ'D	MATERIAL
1	CASING	1	VINYL ESTER
1C	NUT, CASING	8-12	316 S.S.
1D	BOLT, CASING	8-12	316 S.S.
1E	WASHER, CASING	16-24	316 S.S.
2	IMPELLER	1	VINYL ESTER
2B	O-RING, IMPELLER	1	VITON
6	SHAFT	1	316 S.S.
6A	KEY, COUPLING	1	303 S.S.
6B	O-RING, SHAFT	1	VITON
11	COVER, CASING	1	VINYL ESTER
11A	STUD, COLUMN-COVER	8	VINYL ESTER
11B	NUT, COLUMN-COVER	8	VINYL ESTER
12	BEARING HOLDER	1	STEEL
12A	SET SCREW, BEARING HOLDER	1-2	303 S.S.
12B	SNAP RING, BEARING	1	STEEL
14	SHAFT SLEEVE (opt.)	1	316 S.S.
14A	SLEEVE CAP	1	HASTELLOY
14B	O-RING CAP	1	VITON
18	BALL BEARING	1	STEEL
40	SLINGER	1	BUNA
41	LOCK COLLAR, DISCHARGE PIPE	1	POLYPROPYLENE
41A	SCREW, LOCK COLLAR	1-2	303 S.S.
41B	SCREW, LOCK COLLAR-COVER PLATE	1-2	303 S.S.
41C	WASHER, LOCK COLLAR-COVER PLATE	1-2	303 S.S.
41D	SPACER, DISCHARGE	1	VINYL ESTER
66	THREADED COLLAR	1	303 S.S.
70A	SCREW, COLUMN-PEDESTAL	4-8	316 S.S.
70B	SCREW, PEDESTAL-COVER PLATE	4-8	316 S.S.
70D	BOLT (STUD), DISCHARGE ELBOW	4	316 S.S.
70E	NUT, DISCHARGE ELBOW	4	316 S.S.
71D	ADAPTOR, MOTOR	1	CAST IRON
73	O-RING COVER	1	VITON
81	PEDESTAL	1	CAST IRON
82A	SCREW, PEDESTAL-MOTOR ADAPTOR	4	303 S.S.
87	STRAINER	1	VINYL ESTER
87A	STUD, STRAINER	4	VINYL ESTER
87B	NUT, STRAINER	4	VINYL ESTER
89	COVER PLATE	1	POLYESTER
91	COLUMN	1	VINYL ESTER
91B	VAPOR SEAL	1	TEFLON
93	BEARING HOLDER SET *	1	VINYL ESTER
93A	SLEEVE BEARING SET *	1	**
93B	SLEEVE BEARING, COVER	1	**
93C	SNAP RING, SLEEVE BEARING, COVER	1	POLYPROPYLENE
93D	PIN, COVER	1	VINYL ESTER
93E	STUD, BEARING HOLDER *	2	VINYL ESTER
93F	NUT, BEARING HOLDER *	8	VINYL ESTER
95	DISCHARGE PIPE	1	VINYL ESTER
95A	GASKET, DISCHARGE FLANGE	1	VITON
95B	FLANGE, DISCHARGE	1	VINYL ESTER
99	ELBOW, DISCHARGE	1	VINYL ESTER
100	TAILPIPE, SUCTION	1	VINYL ESTER
100A	GASKET, SUCTION	1	VITON
100B	BOLT, TAILPIPE	4	316 S.S.
100C	NUT, TAILPIPE	4	316 S.S.
127	FLUSH TUBING ASSY.	1	POLYPROPYLENE

* - QUANTITIES VARY WITH PUMP SETTING

** - PPS-CARBON/TEFLON FILLED POLYPHENYL SULFIDE

Fybroc Division		TELFORD, PA 18969	
5500-1X2X10		SCALE	DRAWN BY 829
1.5X3X8, 2X3X8, 3X4X8,		1/3	APPROVED BY
1.5X3X10, 2X3X10, 3X4X10			
TITLE SECTIONAL DRAWING W/MATERIAL			
DATE 11-20-95	DRAWING NUMBER C50092M		REV.