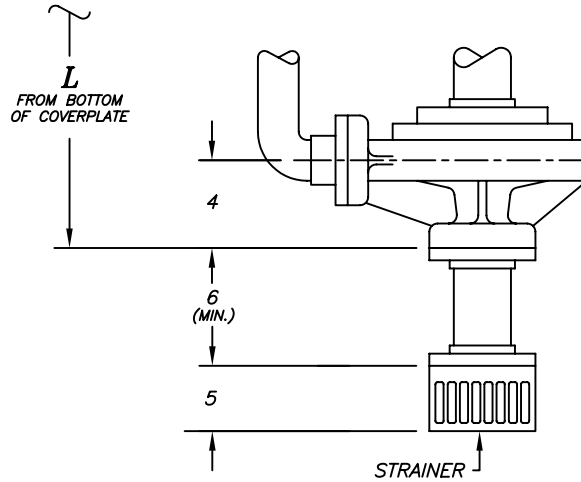
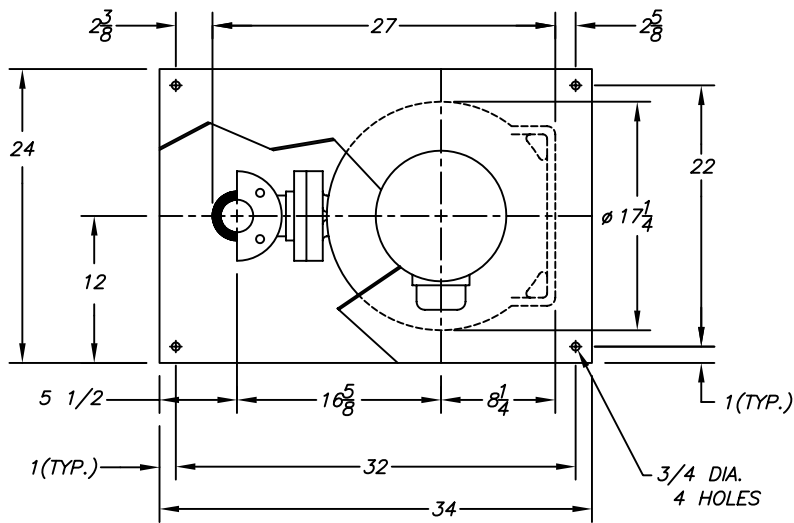
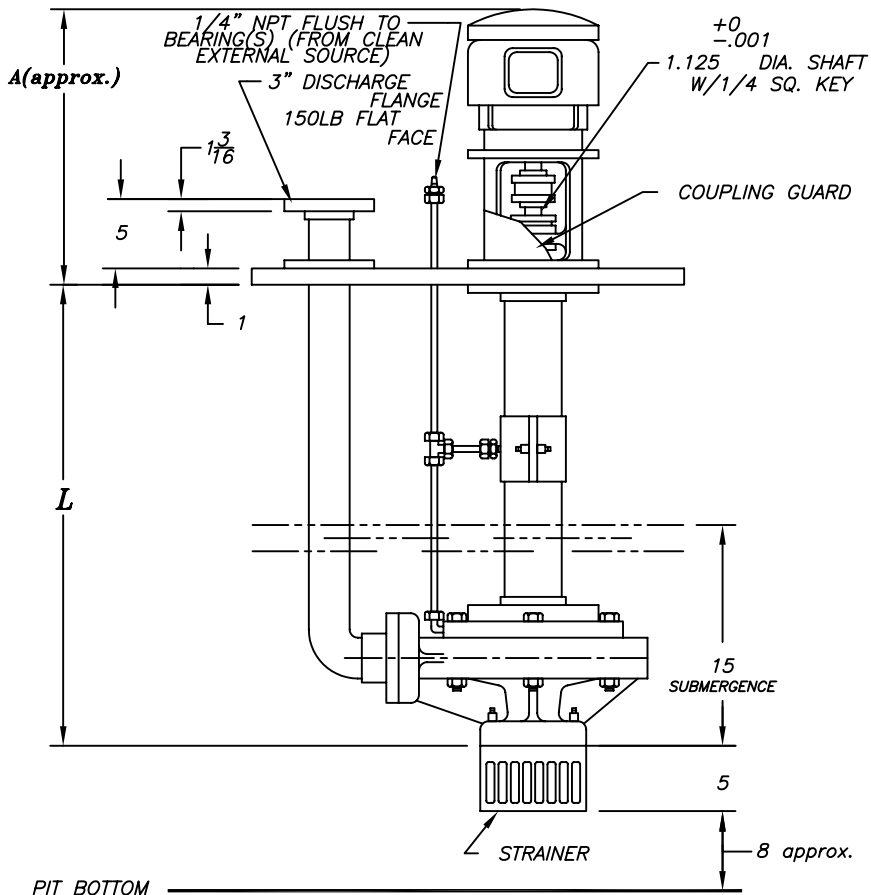


DATE	SYM.	REVISION RECORD	AUTH.	DR.	CHK.



TAILPIPE ASSEMBLY
(OPTIONAL)



MOTOR FRAME	A
182TC/184TC	27 3/8
213TC/215TC	31 5/8
254TC/256TC	36 7/8
284TC/286TC	37 3/8
324TC/326TC	40 7/8

MOTOR FURNISHED BY FYBROC; MOUNTED BY OTHERS		
HP	RPM	
PH	HZ	VOLTS

CUSTOMER:	
CUST. P.O.#	
TAG:	
FYBROC S/N	

- NOTES:
- MOTOR SHIPPED SEPARATELY FOR FIELD MOUNTING BY OTHERS.
 - ALL DIMENSIONS IN INCHES.
 - EXPANSION JOINT IS RECOMMENDED FOR DISCHARGE CONNECTION.
 - COVERPLATE TO BE SUPPORTED ON ALL FOUR SIDES.
 - ALL FLANGE GASKETS ARE TO BE FULL FACE GASKETS.

NO.	L	BRGS	WEIGHT APPROX.
1	18-3/8" (1' 6-3/8")	1	-
2	24-3/8" (2' 3/8")	1	-
3	30-3/8" (2' 6-3/8")	1	-
4	36-3/8" (3' 3/8")	1	-
5	42-3/8" (3' 6-3/8")	2	-
6	48-3/8" (4' 3/8")	2	-
7	54-3/8" (4' 6-3/8")	2	-
8	60-3/8" (5' 3/8")	2	-
9	66-3/8" (5' 6-3/8")	2	-
10	72-3/8" (6' 3/8")	3	-
11	78-3/8" (6' 6-3/8")	3	-
12	84-3/8" (7' 3/8")	3	-
13	90-3/8" (7' 6-3/8")	3	-
14	96-3/8" (8' 3/8")	3	-
15	102-3/8" (8' 6-3/8")	4	-
16	108-3/8" (9' 3/8")	4	-
17	114-3/8" (9' 6-3/8")	4	-
18	120-3/8" (10' 3/8")	4	-
19	126-3/8" (10' 6-3/8")	4	-

*-LESS, MOTOR AND TAILPIPE

Fybroc Division		TELFORD, PA 18969	
5500 GRP.2 3X4X10	SCALE ~	DRAWN BY 829	APPROVED BY
TITLE OUTLINE DRAWING			
DATE 5/10/94	DRAWING NUMBER C40133	REV.	