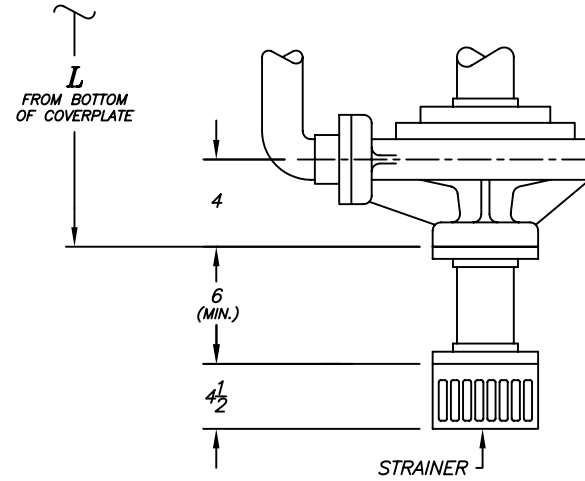
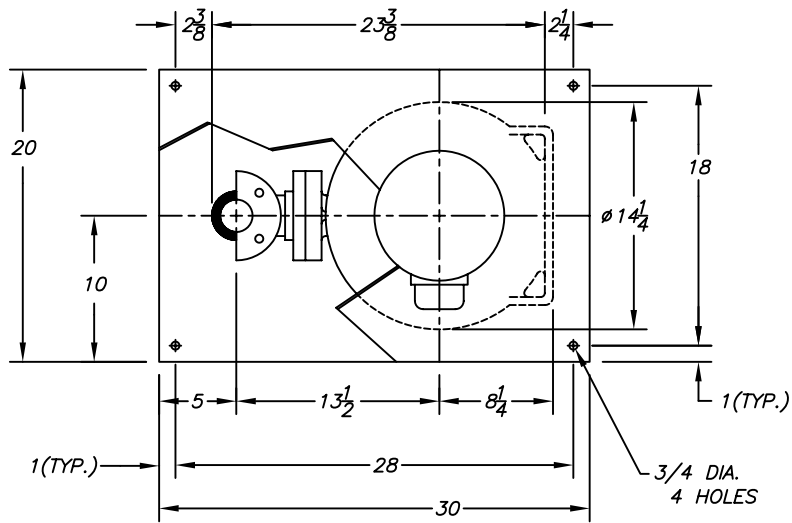


DATE	SYM.	REVISION RECORD	AUTH.	DR.	CK.



TAILPIPE ASSEMBLY
(OPTIONAL)

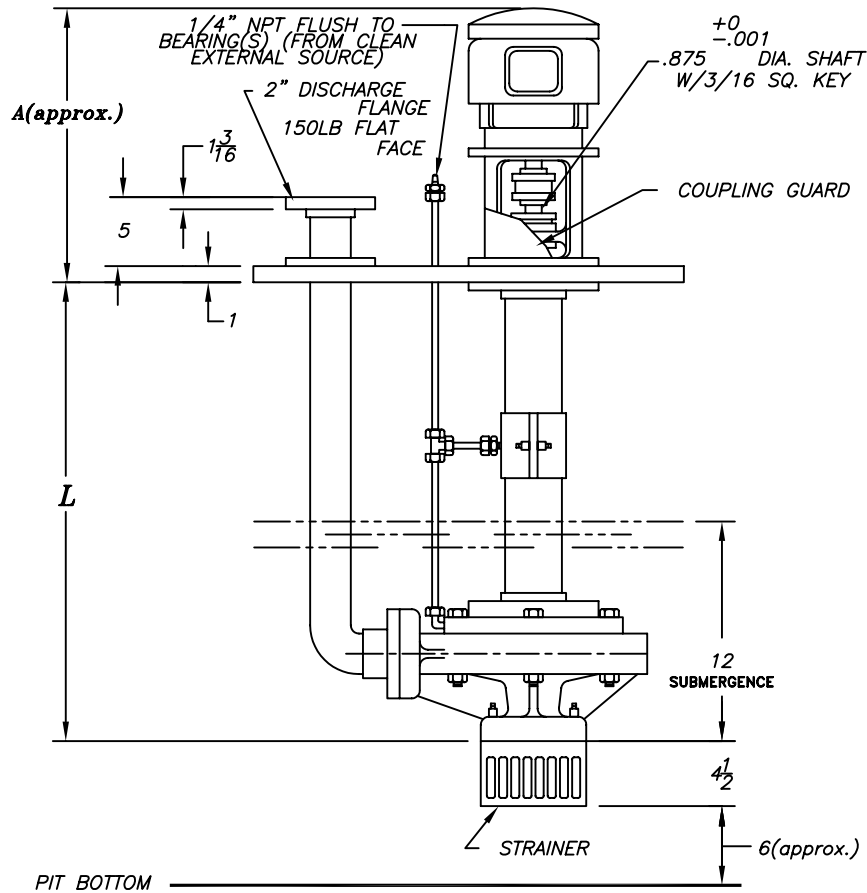
MOTOR FRAME	A
182TC/184TC	26
213TC/215TC	29 3/4
254TC/256TC	35

MOTOR		
HP	RPM	
PH	HZ	VOLTS
ENCL.		
FRAME		

CUSTOMER
CUST. P.O.#
TAG:
FYBROC S/N

NOTES:

1. MOTOR SHIPPED SEPARATELY FOR FIELD MOUNTING BY OTHERS.
2. ALL DIMENSIONS IN INCHES.
3. EXPANSION JOINT IS RECOMMENDED FOR DISCHARGE CONNECTION.
4. COVERPLATE TO BE SUPPORTED ON ALL FOUR SIDES.
5. ALL FLANGE GASKETS ARE TO BE FULL FACE GASKETS.



NO.	L	BRGS	WEIGHT APPROX.
1	18-3/8" (1' 6-3/8")	1	-
2	24-3/8" (2' 3/8")	1	-
3	30-3/8" (2' 6-3/8")	1	-
4	36-3/8" (3' 3/8")	1	-
5	42-3/8" (3' 6-3/8")	2	-
6	48-3/8" (4' 3/8")	2	-
7	54-3/8" (4' 6-3/8")	2	-
8	60-3/8" (5' 3/8")	2	-
9	66-3/8" (5' 6-3/8")	2	-
10	72-3/8" (6' 3/8")	3	-
11	78-3/8" (6' 6-3/8")	3	-
12	84-3/8" (7' 3/8")	3	-
13	90-3/8" (7' 6-3/8")	3	-
14	96-3/8" (8' 3/8")	3	-
15	102-3/8" (8' 6-3/8")	4	-
16	108-3/8" (9' 3/8")	4	-
17	114-3/8" (9' 6-3/8")	4	-
18	120-3/8" (10' 3/8")	4	-
19	126-3/8" (10' 6-3/8")	4	-

*-LESS, MOTOR AND TAILPIPE

Fybroc Division		TELFORD, PA 18969	
5500 GRP.2	SCALE	DRAWN BY	SLJ
1 1/2X3X10, 1X2X10	~	APPROVED BY	
TITLE			
OUTLINE DRAWING			
DATE	DRAWING NUMBER	REV.	
5/10/94	C40131		