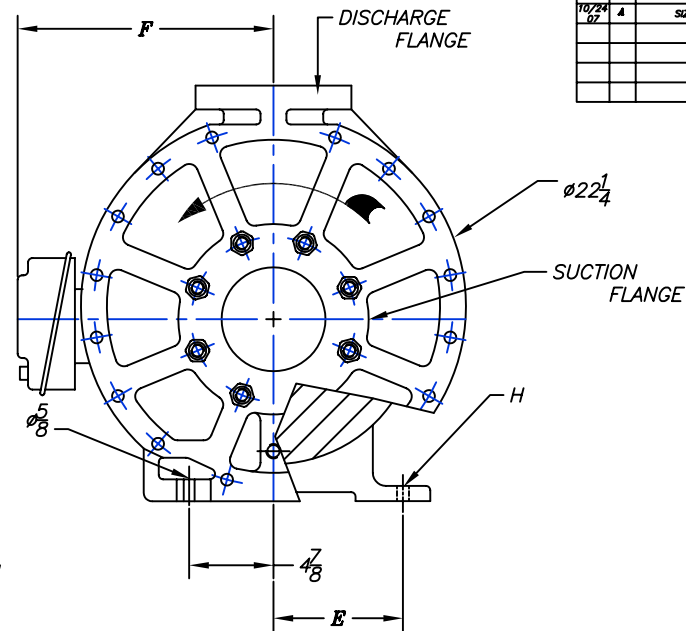
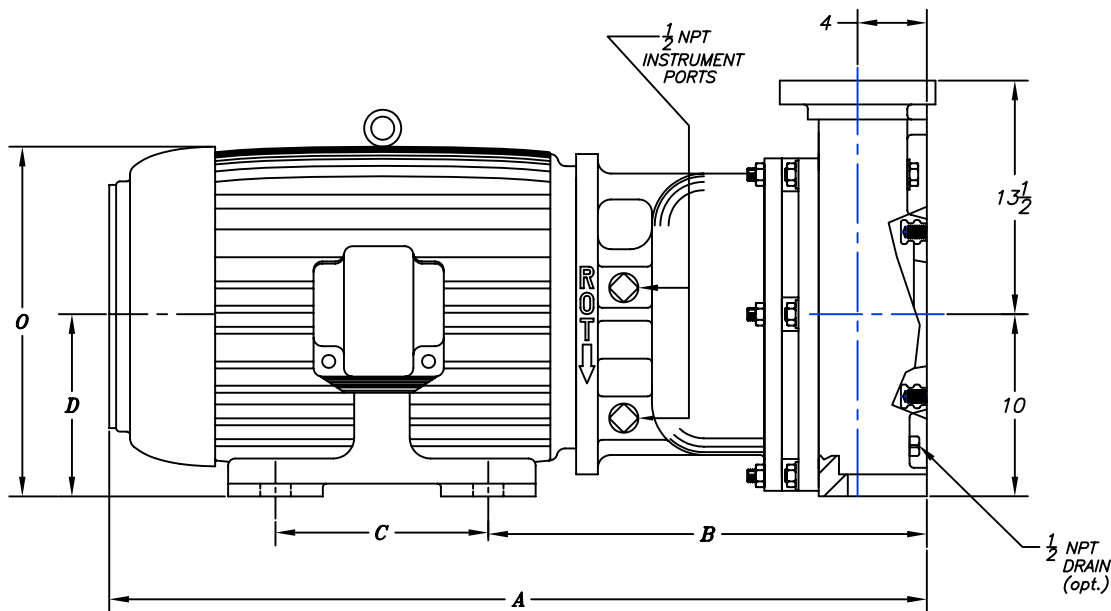


DATE	SYM.	REVISION RECORD	AUTH.	D.R.	C.K.
10/24/97	A	SIZE 4X6X13 ADDED			829



MOTOR FRAME	A (1)	B (1)	C	D	E	F (1)	H	O (1)
213TC	32	19 1/4	5 1/2	5 1/4	4 1/4	11 1/8	7/16	11 1/2
215TC			7					
254TC	36 1/8	20	8 1/4	6 1/4	5	11 5/8	17/32	13 1/2
256TC			10					
284TC	40	21 1/2	9 1/2	7	5 1/2	12 1/8	17/32	14 1/8
286TC			11					
284TSC	39 1/8	20 5/8	9 1/2	7	5 1/2	12 1/8	17/32	14 1/8
286TSC			11					
324TC	41 1/2	22 1/4	10 1/2	8	6 1/4	13 5/8	21/32	15 3/4
326TC	42 7/8		12					
324TSC	40 1/2	21 1/4	10 1/2	8	6 1/4	13 5/8	21/32	15 3/4
326TSC	41 7/8		12					
364TC	44 1/4	23 1/8	11 1/4	9	7	14 7/16	21/32	17 3/4
365TC	45 1/4		12 1/4					
364TSC	42 7/8	21 3/4	11 1/4	9	7	14 7/16	21/32	17 3/4
365TSC	43 7/8		12 1/4					
404TSC	48 5/8	22 1/2	12 1/4	10	8	15 7/8	13/16	19 1/2
405TSC	50 1/8		13 3/4					

MOTOR		
HP	RPM	
PH	HZ	VOLTS
ENCL.		
FRAME		

PUMP SIZE	SUCT.	DISCH.
4X6X10	6	4
4X6X13	6	4

FLANGE	O.D.	THICK.	B.C.	NO. OF HOLES	SZ. OF HOLES
4	9	1 1/4	7 1/2	8	3/4
6(2)	11	(2)	9 1/2	8	(3)

NOTES:

- (1) DIMENSIONS BASED ON TOSHIBA TEFC MOTORS. DIMENSIONS WILL VARY BY MANUFACTURER.
- (2) FLAT FACE THREADED SUCTION CONNECTION.
- (3) 3/4-10 TAPPED HOLES 1" DEEP.
- (4) ROTATION IS COUNTERCLOCKWISE FACING SUCTION FLANGE.
- (5) ALL DIMENSIONS IN INCHES.
- (6) FLANGES ARE ASME/ANSI B16.5 CLASS 150lb. FLAT FACE.

WARNING: DO NOT OPERATE IN REVERSE ROTATION. DO NOT OPERATE WITHOUT LIQUID IN PUMP.

CUSTOMER		
CUST. P.O.#		
TAG:		
FYBROC S/N		
Fybroc Division		TELFORD, PA 18969
2530 SERIES GROUP 2	SCALE	DRAWN BY <i>829</i>
		APPROVED BY
TITLE OUTLINE DRAWING		
DATE 11/17/08	DRAWING NUMBER C40228	REV.