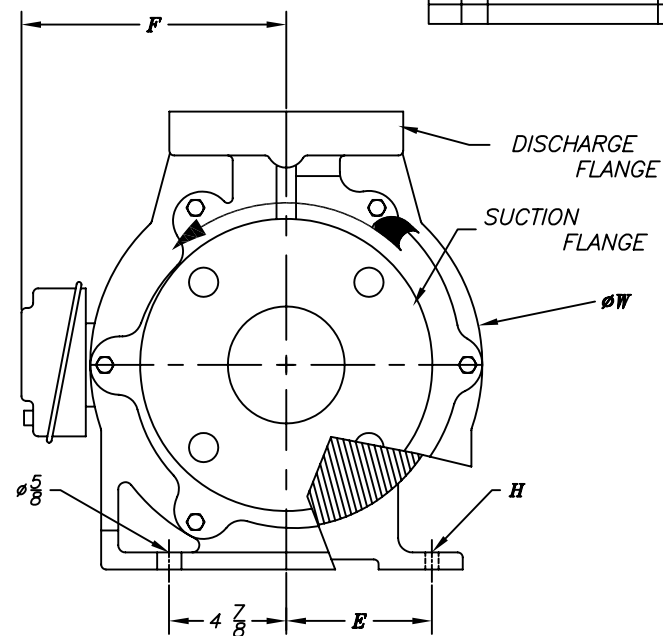
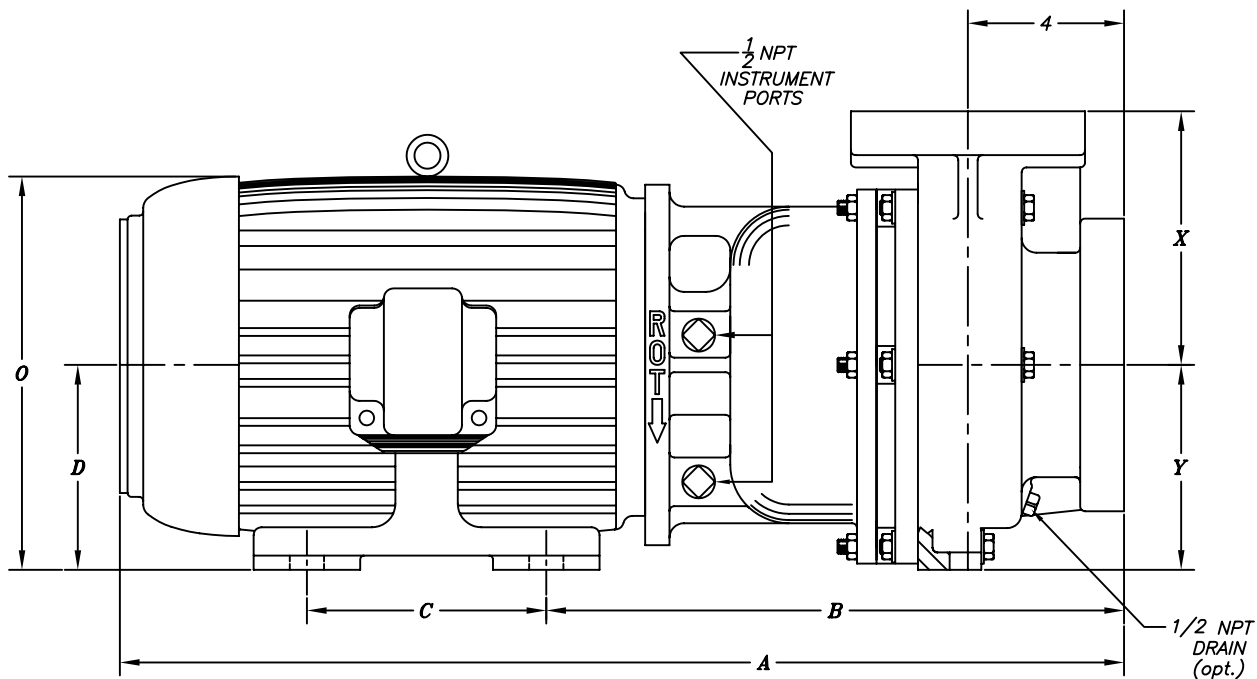


DATE	SYM.	REVISION RECORD	AUTH.	D.R.	C.K.
10/24/97	A	SIZE 4X6X13 ADDED			829



MOTOR		
HP	RPM	
PH	HZ	VOLTS
ENCL.		
FRAME		

**NOTES:**

- (1) DIMENSIONS BASED ON TOSHIBA TEFC MOTORS. DIMENSIONS WILL VARY BY MANUFACTURER.
  - (2) ROTATION IS COUNTERCLOCKWISE FACING SUCTION FLANGE.
  - (3) ALL DIMENSIONS IN INCHES.
  - (4) FLANGES ARE ASME/ANSI B16.5 CLASS 150lb. FLAT FACE.
- WARNING: DO NOT OPERATE IN REVERSE ROTATION. DO NOT OPERATE WITHOUT LIQUID IN PUMP.**

MOTOR FRAME	A (1)	B (1)	C	D	E	F (1)	H	O (1)
182TC	26 1/2	16 1/2	4 1/2	4 1/2	3 3/4	7 5/8	7/16	9 1/2
184TC			5 1/2					
213TC	30	17 3/8	5 1/2	5 1/4	4 1/4	11 1/8	7/16	11 1/2
215TC			7					
254TC	34 1/8	18 1/8	8 1/4	6 1/4	5	11 5/8	17/32	13 1/2
256TC			10					
284TSC	37 1/8	18 3/4	9 1/2	7	5 1/2	12 1/8	17/32	14 1/8
286TSC			11					
324TSC	39 3/4	20 7/16	10 1/2	8	6 1/4	13 5/8	21/32	15 3/4
326TSC			12					

PUMP SIZE	SUCT.	DISCH.	X	Y	W
3X4X6	4	3	8 1/4	8 1/4	14 1/4
2X3X8	3	2	9 1/2		14 1/4
3X4X8	4	3	11		14 1/4
1X2X10	2	1	8 1/2		14 1/4

FLANGE	O.D.	THICK.	B.C.	NO. OF HOLES	SZ. OF HOLES
1	4 1/4	7/8	3 1/8	4	5/8
2	6	1 1/8	4 3/4		3/4
3	7 1/2		6		
4	9	1 1/4	7 1/2		8

CUSTOMER		
CUST. P.O.#		
TAG:		
FYBROC S/N		
<b>Fybroc Division</b>		TELFORD, PA 18969
<b>2530 SERIES GROUP 2</b>	SCALE	DRAWN BY <i>829</i>
		APPROVED BY
TITLE <b>OUTLINE DRAWING</b>		
DATE 1/29/00	DRAWING NUMBER <b>C40211</b>	REV. <b>A</b>