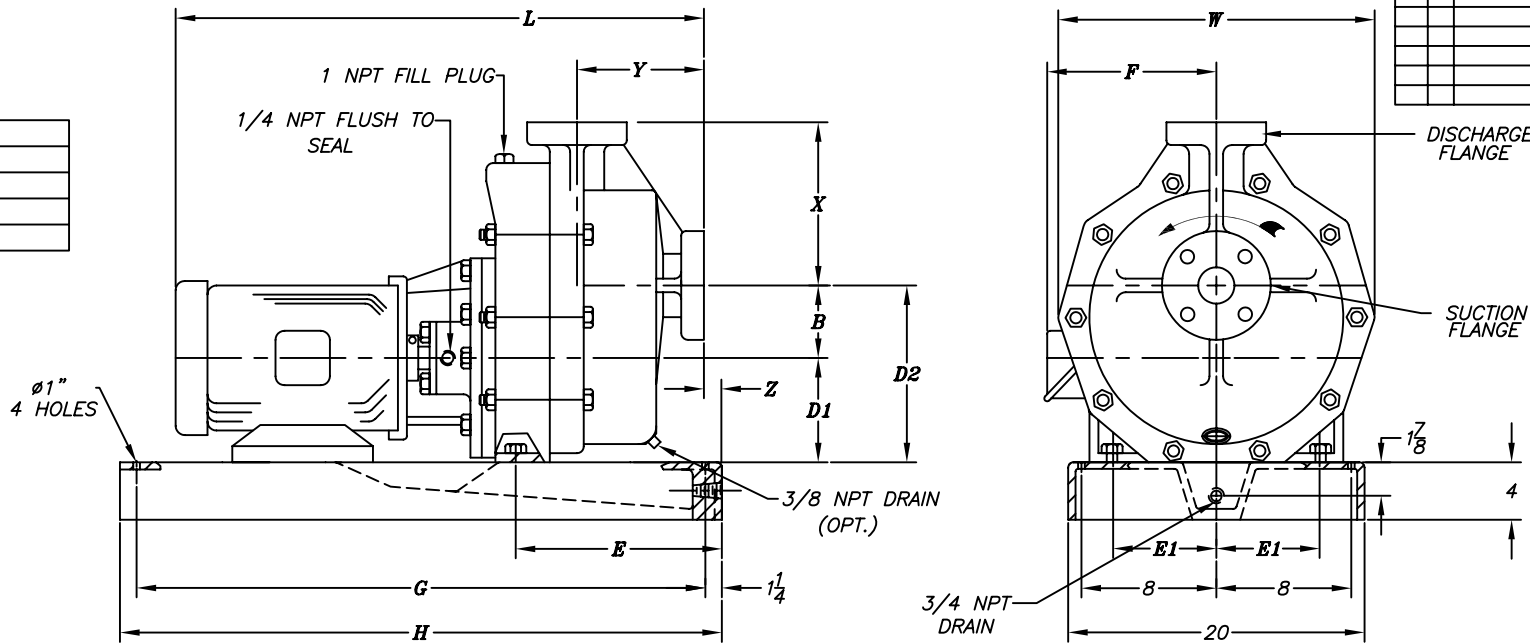


DATE	SYM	REVISION RECORD	AUTH.	DR.	CHK.

MOTOR		
HP	RPM	
PH	HZ	VOLTS
ENCL.		
FRAME		



MOTOR FRAME	PUMP SIZE	E	F(2)	G	H	L(2)	Z
182JM	2X3X10	15 1/2	7	35 1/2	38	32 3/8	3 1/4
	3X4X10					32 3/8	3 1/4
	3X4X13					33 3/8	2 1/4
	4X6X13					34 3/8	1 1/4
184JM	2X3X10	15 1/2	7	35 1/2	38	33 3/8	3 1/4
	3X4X10					33 3/8	3 1/4
	3X4X13					34 3/8	2 1/4
	4X6X13					35 3/8	1 1/4
213JM	2X3X10	14 1/2	8 13/16	35 1/2	38	35 1/16	2 1/4
	3X4X10					35 1/16	2 1/4
	3X4X13					36 1/16	1 1/4
	4X6X13					37 1/16	1/4
215JM	2X3X10	14 1/2	8 13/16	35 1/2	38	36 9/16	2 1/4
	3X4X10					36 9/16	2 1/4
	3X4X13					37 9/16	1 1/4
	4X6X13					38 9/16	1/4
254JM	2X3X10	14 1/2	10 7/16	41 1/2	44	38 1/8	2 1/4
	3X4X10					38 1/8	2 1/4
	3X4X13					39 1/8	1 1/4
	4X6X13					40 1/8	1/4
256JM	2X3X10	14 1/2	10 7/16	41 1/2	44	39 7/8	2 1/4
	3X4X10					39 7/8	2 1/4
	3X4X13					40 7/8	1 1/4
	4X6X13					41 7/8	1/4
284JM	2X3X10	14 1/2	11 3/8	43 1/2	46	39 3/4	2 1/4
	3X4X10					39 3/4	2 1/4
	3X4X13					40 3/4	1 1/4
	4X6X13					41 3/4	1/4
286JM	2X3X10	14 1/2	11 3/8	43 1/2	46	41 1/4	2 1/4
	3X4X10					41 1/4	2 1/4
	3X4X13					42 1/4	1 1/4
	4X6X13					43 1/4	1/4
324JM	2X3X10	14 1/2	13 5/16	45 1/2	48	41 3/4	2 1/4
	3X4X10					41 3/4	2 1/4
	3X4X13					42 3/4	1 1/4
	4X6X13					43 3/4	1/4
326JM	2X3X10	14 1/2	13 5/16	45 1/2	48	43 1/4	2 1/4
	3X4X10					43 1/4	2 1/4
	3X4X13					44 1/4	1 1/4
	4X6X13					45 1/4	1/4

PUMP SIZE	SUCT.	DISCH.	B	D1	D2	E1	W	X	Y
2X3X10	3	2	6	8 1/4	14 1/4	6	22 7/8	10 1/2	8 1/4
3X4X10	4	3	6	8 1/4	14 1/4	6	22 7/8	10 1/2	8 1/4
3X4X13	4	3	7	10	17	8	26 1/2	11 1/2	8 7/8
4X6X13	6	4	7	10	17	8	28 1/8	13	9

FLANGE	O.D.	THICK.	B.C.	NO. OF HOLES	SZ. OF HOLES
2	6	1 1/8	4 3/4	4	3/4
3	7 1/2	1 3/16	6	4	3/4
4	9	1 3/8	7 1/2	8	3/4
6	11	1 9/16	9 1/2	8	7/8

NOTES:
 1. ALL DIMENSIONS IN INCHES
 2. FLANGES ARE ASME/ANSI B16.5 CLASS 150lb. FLAT FACE.
 3. DIMENSIONS BASED ON GENERAL ELECTRIC REFC MOTOR—MAY VARY WITH OTHER MANUFACTURES.
 4. ROTATION IS COUNTERCLOCKWISE FACING SUCTION FLANGE.
WARNING: DO NOT OPERATE WITHOUT LIQUID IN PUMP. DO NOT OPERATE IN REVERSE ROTATION.

CUSTOMER _____
 CUST. P.O.# _____
 TAG: _____
 Fybroc S/N _____

Fybroc Division TELFORD, PA 18969
 1630 GROUP 2 SCALE ~ DRAWN BY *827*
 APPROVED BY _____
 TITLE: OUTLINE DRAWING W/BASE PLATE
 DATE 2/6/96 DRAWING NUMBER **C41983** REV. _____