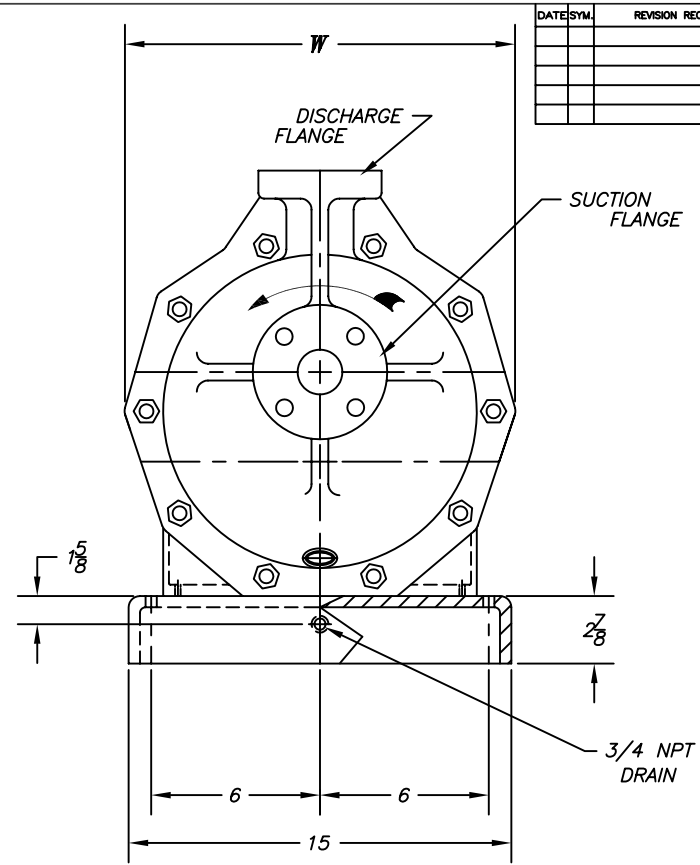
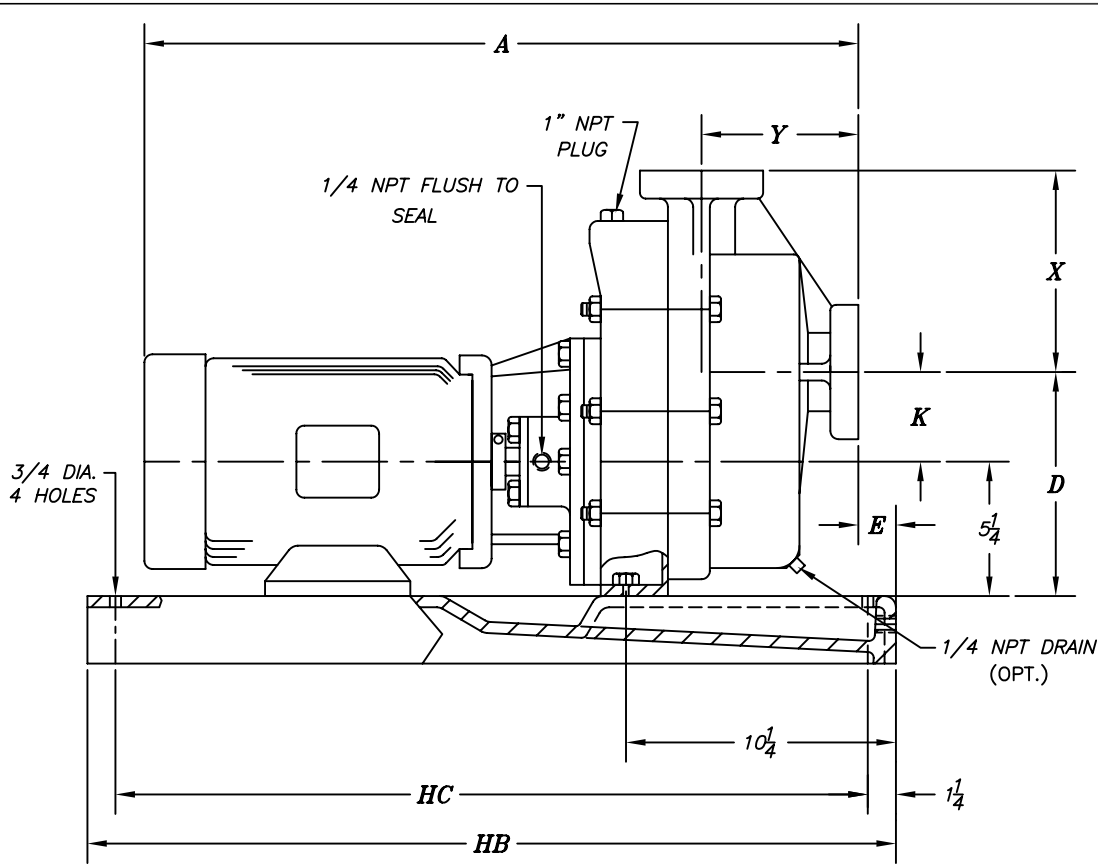


DATE	SYM.	REVISION RECORD	AUTH.	D.R.	C.K.



MOTOR FRAME	PUMP SIZE	A (3)	HB	HC
143JM	1X1 1/2X8	24 3/8	28	25 1/2
	2X3X6	26 1/2		
145JM	1X1 1/2X8	25 3/8	28	25 1/2
	2X3X6	27 1/2		
182JM	1X1 1/2X8	26 3/4	28	25 1/2
	2X3X6	28 7/8		
184JM	1X1 1/2X8	27 3/4	28	25 1/2
	2X3X6	29 7/8		
213JM	1X1 1/2X8	29 3/4	31	28 1/2
	2X3X6	31 7/8		
215JM	1X1 1/2X8	30 15/16	31	28 1/2
	2X3X6	33 1/16		
254JM	1X1 1/2X8	32 1/2	34	31 1/2
	2X3X6	34 5/8		
256JM	1X1 1/2X8	34 1/4	34	31 1/2
	2X3X6	36 3/8		

MOTOR			
HP	RPM		
PH	HZ	VOLT	
ENCL.			
FRAME			

CUSTOMER	
CUST. P.O.#	
TAG:	
FYBROC S/N	

PUMP SIZE	SUCT.	DISCH.	D	E	K	W	X	Y
1X1 1/2X8	1 1/2	1	8 7/8	2 1/8	3 5/8	14 3/8	7	6
2X3X6	3	2	9 1/8	0	3 7/8	17 5/8	9 1/8	7

FLANGE	O.D.	THICK.	B.C.	NO. OF HOLES	SIZE OF HOLES
1	4 1/4	1	3 1/8	4	5/8
1 1/2	5	1 1/8	3 7/8	4	5/8
2	6	1 1/8	4 3/4	4	3/4
3	7 1/2	1 1/8	6	4	3/4

NOTES:  
 1. ALL DIMENSIONS IN INCHES.  
 2. FLANGES ARE ASME/ANSI B16.5 CLASS 150lb. FLAT FACE.  
 3. DIMENSION BASED ON GENERAL ELECTIC TEFC MOTOR—MAY VARY WITH OTHER MANUFACTURERS.  
 4. ROTATION IS COUNTERCLOCKWISE FACING SUCTION FLANGE.  
**WARNING: DO NOT OPERATE WITHOUT LIQUID IN PUMP. DO NOT OPERATE IN REVERSE ROTATION.**

<b>Fybroc Division</b>		TELFORD, PA 18969	
TITLE <b>1630 SERIES GROUP 1</b>	SCALE ~	DRAWN BY <b>SLJ</b>	APPROVED BY
DATE <b>10/16/97</b> OUTLINE DRAWING W/BASEPLATE			
DRAWING NUMBER <b>C 41914</b>		REV.	