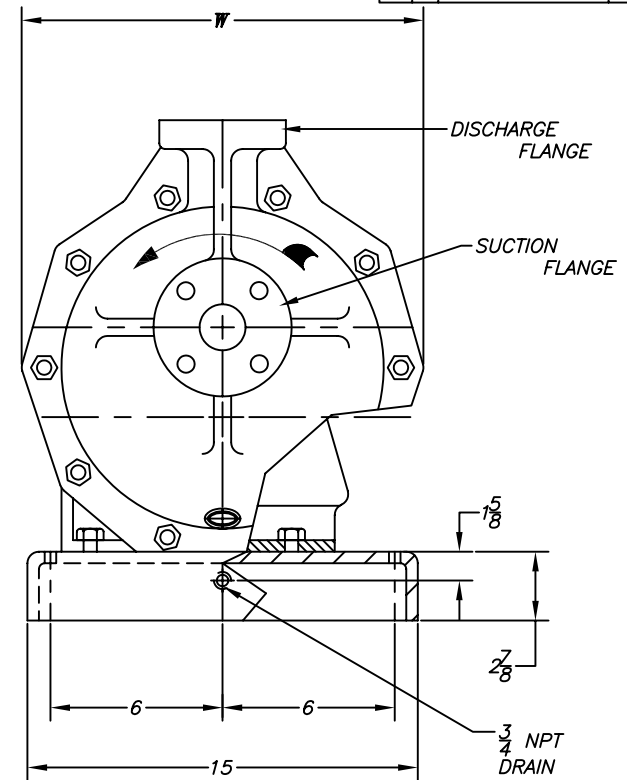
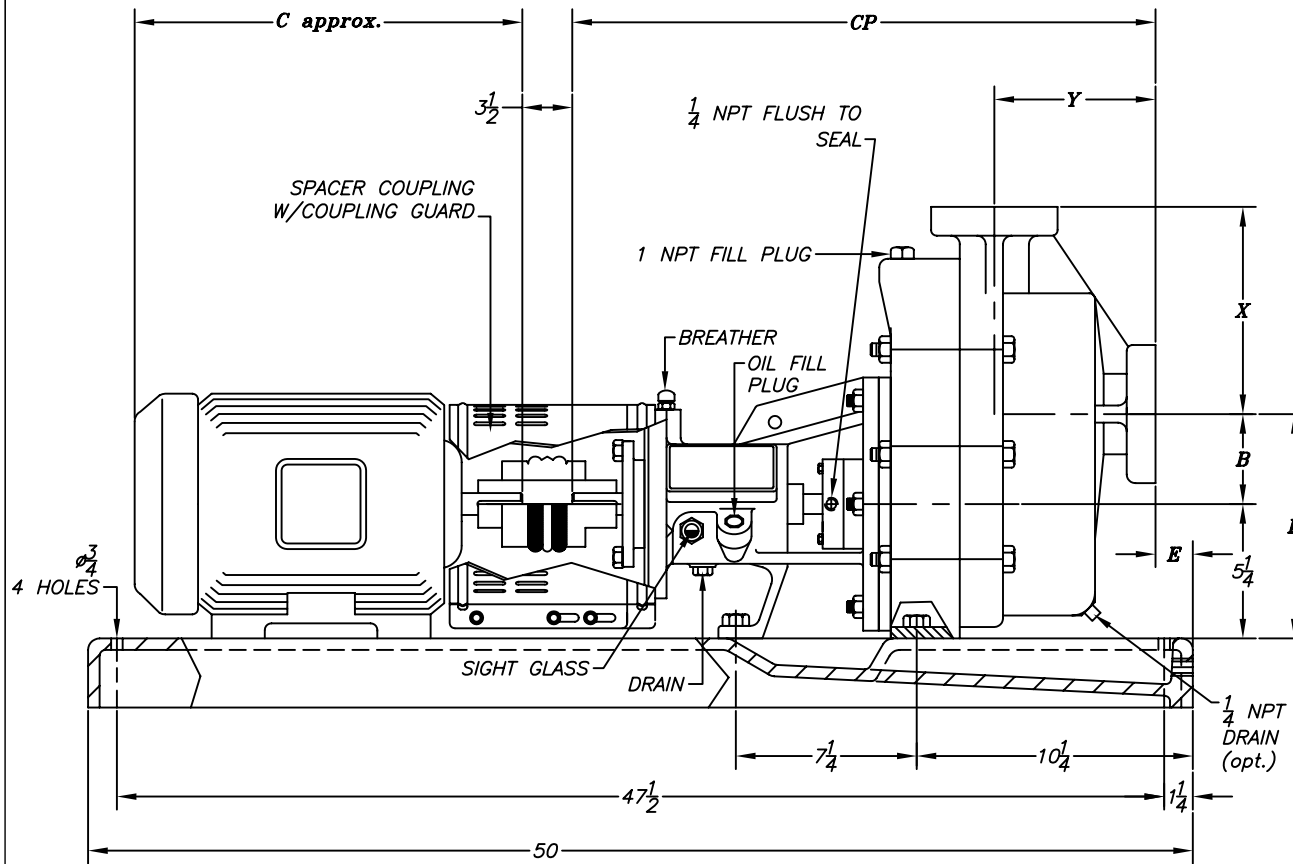


DATE	SYM.	REVISION RECORD	AUTH.	DR.	CK.
07/21/02	A	REVISED & REDRAWN			



MOTOR FRAME	C
143T/145T	13
182T/184T	15 5/8
213T/215T	19 1/4
254T/256T	25 1/2

MOTOR		
HP	RPM	
PH	HZ	VOLTS
ENCL.		
FRAME		

FLANGE	O.D.	THICK.	B.C.	NO. OF HOLES	SZ. OF HOLES
1	4 1/4	1	3 1/8	4	5/8
1 1/2	5	1 1/8	3 7/8	4	5/8
2	6	1 1/8	4 3/4	4	3/4
3	7 1/2	1 1/8	6	4	3/4

PUMP SIZE	SUCT.	DISCH.	B	D	E	W	X	Y	CP
1X1-1/2X8	1 1/2	1	3 5/8	8 7/8	2 1/8	14 3/8	7	6	21 5/8
2X3X6	3	2	3 7/8	9 1/8	0	17 5/8	9 1/8	7	23 3/4

CUSTOMER
CUST. P.O.#
ITEM
FYBROC S/N

NOTE:  
 (1) ROTATION IS COUNTERCLOCKWISE FACING SUCTION FLANGE.  
**WARNING: DO NOT OPERATE WITHOUT LIQUID IN PUMP. DO NOT OPERATE IN REVERSE ROTATION.**  
 (2) ALL DIMENSIONS IN INCHES.  
 (3) FLANGES ARE ASME/ANSI B16.5 CLASS 150lb. FLAT FACE.

SEE B40118 FOR PUMP ONLY

<b>Fybroc Division</b>		TEL福德, PA 18969	
1600 SERIES GROUP 1	SCALE	DRAWN BY 829	APPROVED BY
TITLE OUTLINE DRAWING			
DATE 06/16/94	DRAWING NUMBER C40118	REV. A	