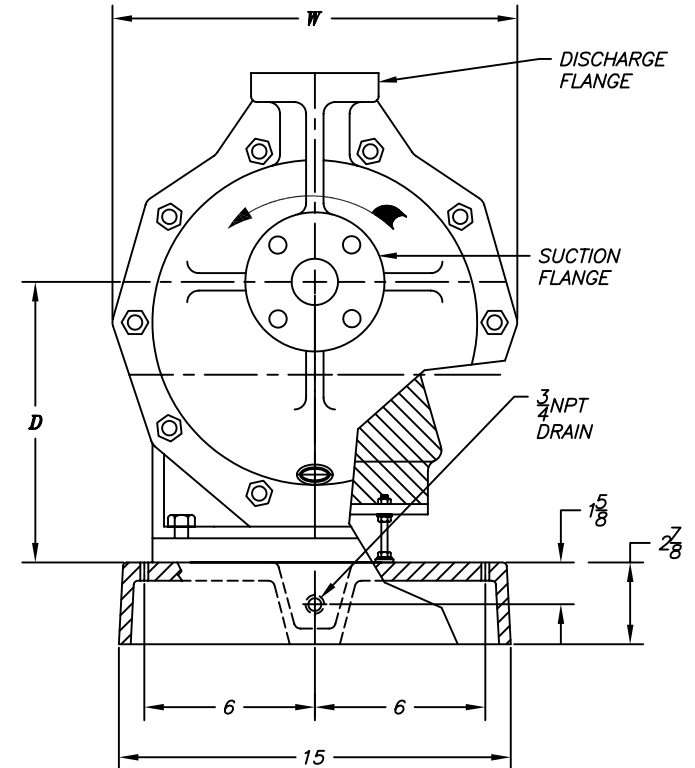
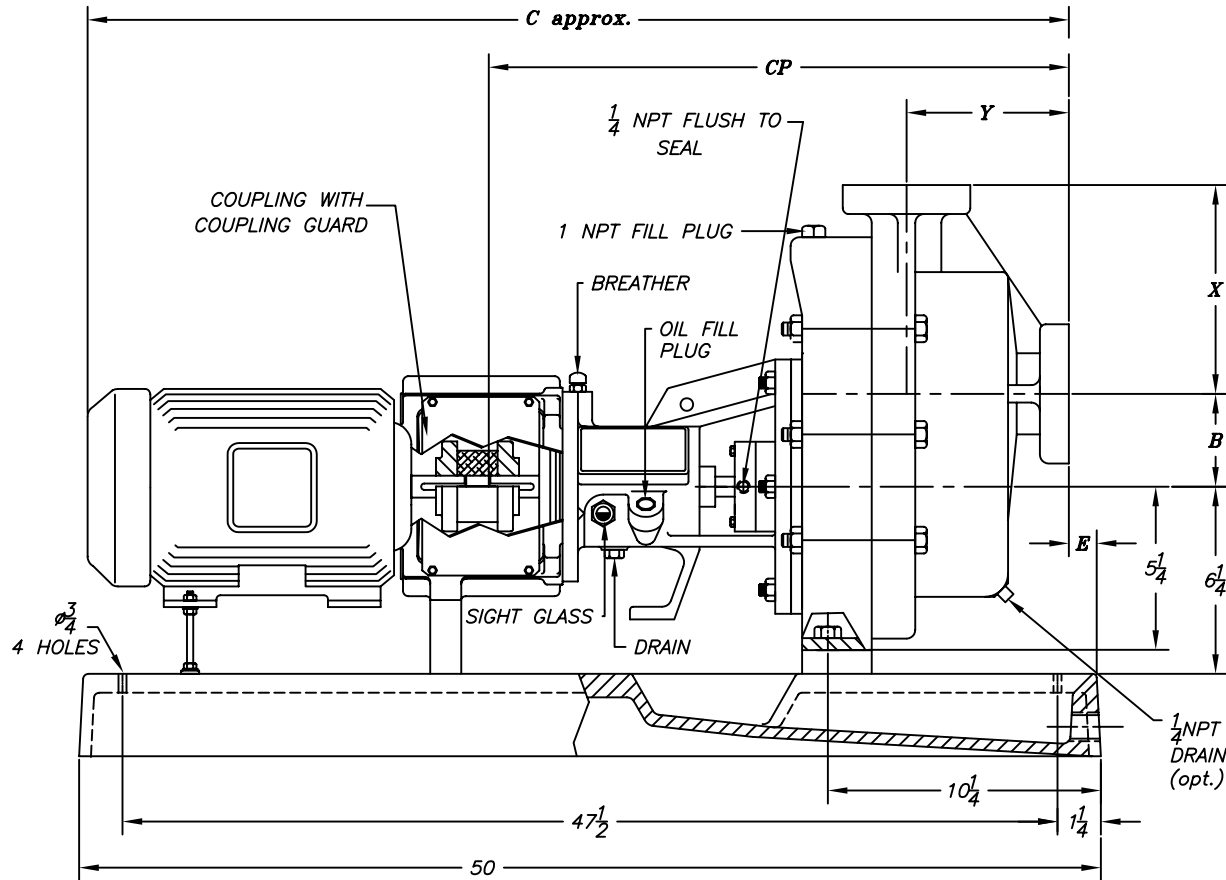


DATE	SYM.	REVISION RECORD	AUTH.	D.R.	C.K.



MOTOR			
HP	RPM		
PH	HZ	VOLTS	
ENCL.			
FRAME			

MOTOR FRAME	PUMP SIZE	CP	C
143TC/145TC	1X1 1/2X8	21 5/8	37 7/8
	2X3X6	23 3/4	40
182TC/184TC	1X1 1/2X8	21 5/8	39
	2X3X6	23 3/4	41 1/8
213TC/215TC	1X1 1/2X8	21 5/8	43 3/4
	2X3X6	23 3/4	45 7/8
254TC/256TC	1X1 1/2X8	21 5/8	47 7/8
	2X3X6	23 3/4	50

FLANGE	O.D.	THICK.	B.C.	NO. OF HOLES	SZ. OF HOLES
1	4 1/4	1	3 1/8	4	5/8
1 1/2	5	1 1/8	3 7/8	4	5/8
2	6	1 1/8	4 3/4	4	3/4
3	7 1/2	1 1/8	6	4	3/4

- NOTE:
- ROTATION IS COUNTERCLOCKWISE FACING SUCTION FLANGE.
WARNING: DO NOT OPERATE WITHOUT LIQUID IN PUMP. DO NOT OPERATE IN REVERSE ROTATION.
 - ALL DIMENSIONS IN INCHES.
 - FLANGES ARE ASME/ANSI B16.5 CLASS 150lb. FLAT FACE.

PUMP SIZE	SUCT.	DISCH.	B	D	E	W	X	Y
1X1 1/2X8	1 1/2	1	3 5/8	9 7/8	2 1/8	14 3/8	7	6
2X3X6	3	2	3 7/8	10 1/8	0	17 5/8	9 1/8	7

CUSTOMER		
CUST. P.O.#		
ITEM		
FYBROC S/N		
Fybroc Division TELFORD, PA 18969		
1600 GROUP 1	SCALE ~	DRAWN BY SLT
		APPROVED BY
TITLE OUTLINE DRAWING W/"C" FACE MOTOR ADAPTOR		
DATE 11/1/02	DRAWING NUMBER C40219	REV.