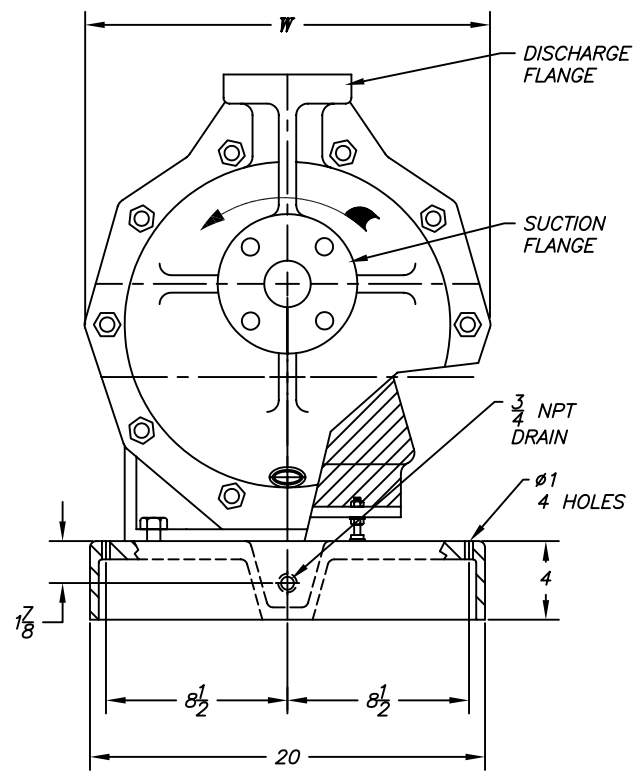
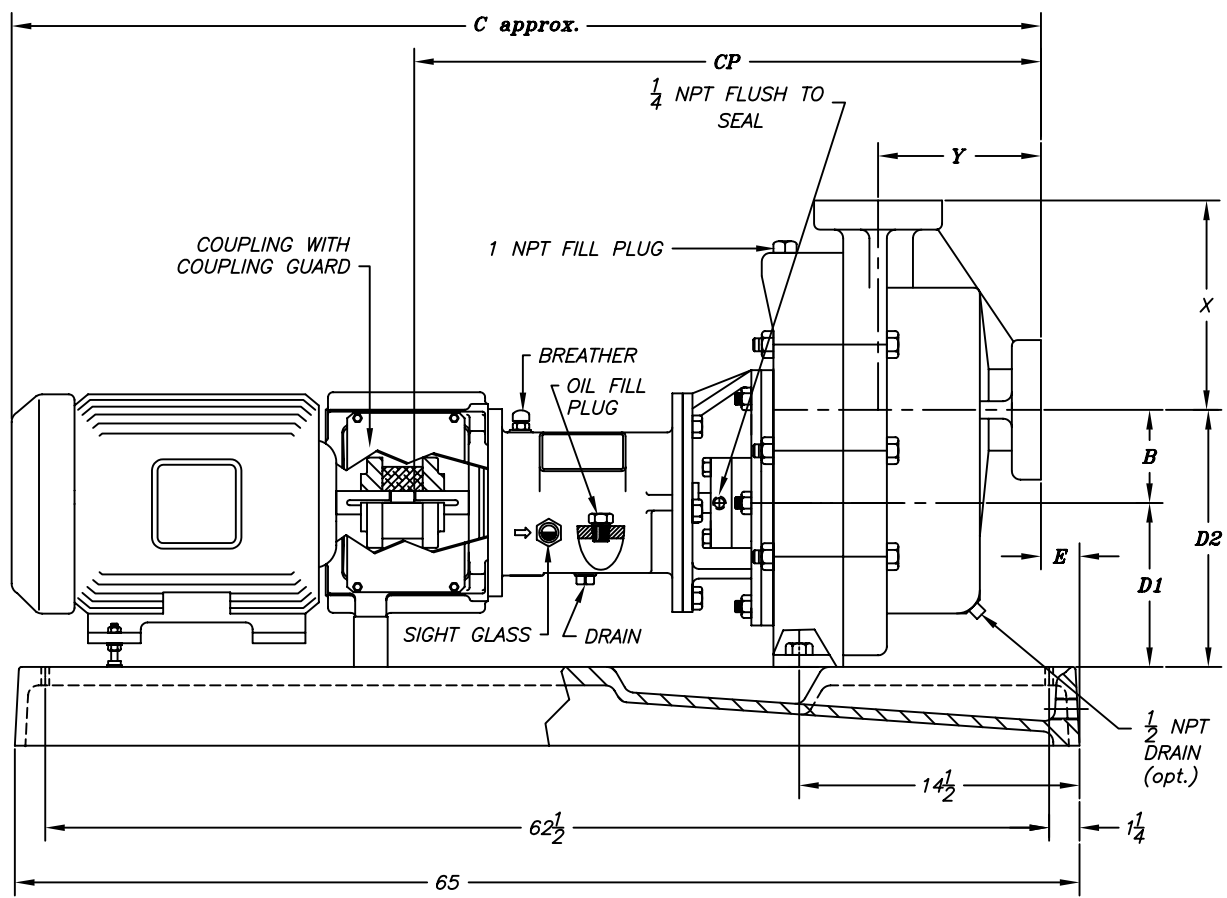


DATE	SYM.	REVISION	RECORD	AUTH.	DR.	CK.



MOTOR FRAME	PUMP SIZE	CP	C
182TC/184TC	2X3X10	31 3/4	49 1/8
	3X4X10	32 3/4	50 1/8
	3X4X13	33 3/4	51 1/8
	4X6X13	33 3/4	51 1/8
213TC/215TC	2X3X10	31 3/4	53 7/8
	3X4X10	32 3/4	54 7/8
	4X6X13	33 3/4	55 7/8
254TC/256TC	2X3X10	31 3/4	58
	3X4X10	32 3/4	59
	3X4X13	33 3/4	60
	4X6X13	33 3/4	60
284TSC/286TSC	2X3X10	31 3/4	58 3/4
	3X4X10	32 3/4	59 3/4
	4X6X13	33 3/4	60 3/4
324TSC/326TSC	2X3X10	31 3/4	60 3/4
	3X4X10	32 3/4	61 3/4
	3X4X13	33 3/4	62 3/4
	4X6X13	33 3/4	62 3/4

MOTOR	HP	RPM
PH	HZ	VOLTS
ENCL.		
FRAME		

FLANGE	O.D.	THICK.	B.C.	NO. OF HOLES	SZ. OF HOLES
2	6	1 1/8	4 3/4	4	3/4
3	7 1/2	1 3/16	6	4	3/4
4	9	1 3/8	7 1/2	8	3/4
6	11	1 9/16	9 1/2	8	7/8

PUMP SIZE	SUCT.	DISCH.	B	D1	D2	E	W	X	Y
2X3X10	3	2	6	8 1/4	14 1/4	2 1/4	22 7/8	10 1/2	8 1/4
3X4X10	4	3	6	8 1/4	14 1/4	2 1/4	22 7/8	10 1/2	8 1/4
3X4X13	4	3	7	10	17	1 1/4	26 1/2	11 1/2	8 7/8
4X6X13	6	4	7	10	17	1/4	28 1/8	13	9

NOTES:
 1. ALL DIMENSIONS IN INCHES
 2. FLANGES ARE ASME/ANSI B16.5 CLASS 150lb. FLAT FACE.
 3. ROTATION IS COUNTERCLOCKWISE FACING SUCTION FLANGE.
WARNING: DO NOT OPERATE WITHOUT LIQUID IN PUMP. DO NOT OPERATE IN REVERSE ROTATION.

CUSTOMER	
CUST. P.O.#	
ITEM	
FYBROC S/N	
Fybroc Division TELFORD, PA 18969	
1600 GROUP 2	SCALE ~
DRAWN BY <i>SLJ</i>	
APPROVED BY	
TITLE OUTLINE DRAWING W/"C" FACE MOTOR ADAPTOR	
DATE 10/30/02	DRAWING NUMBER C40217
REV.	