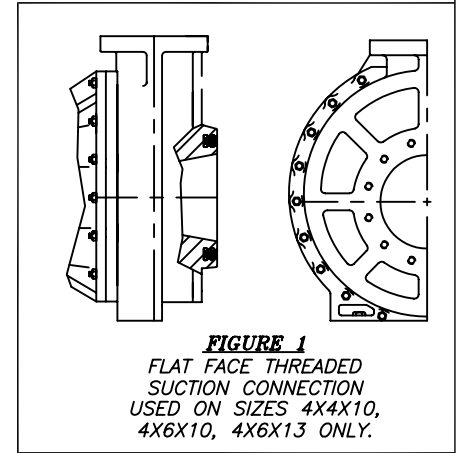
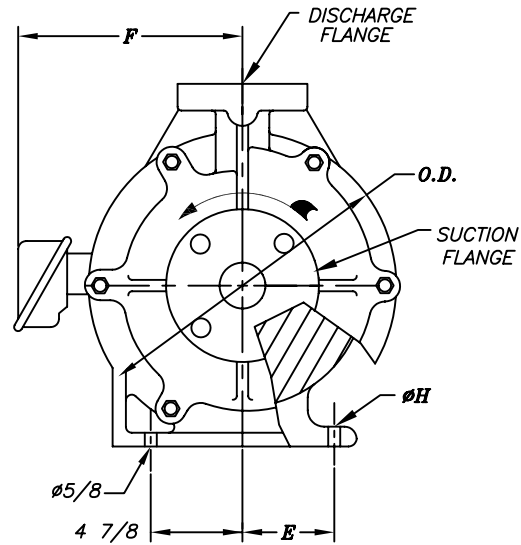
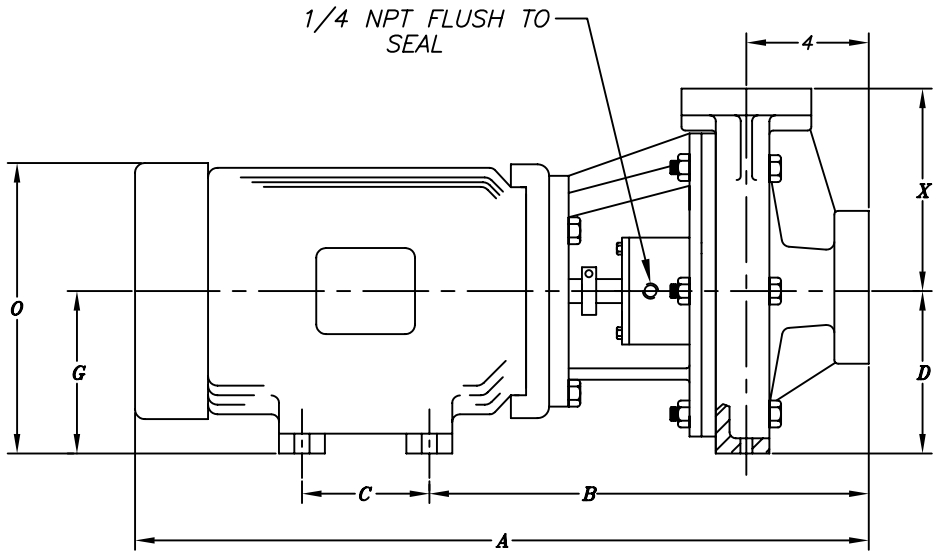


DATE	SYM.	REVISION	RECORD	AUTH.	DR.	CHK.



MOTOR
HP RPM
PH HZ VOLT
ENCL.
FRAME

FLANGE	O.D.	THICK.	B.C.	NO. OF HOLES	SIZE OF HOLES
1	4 1/4	1	3 1/8	4	5/8
1 1/2	5	1 1/8	3 7/8	4	5/8
2	6	1 1/8	4 3/4	4	3/4
3	7 1/2	1 3/16	6	4	3/4
4	9	1 1/4	7 1/2	8	3/4
4 (1)	9	(1)	7 1/2	8	(2)
6 (1)	11	(1)	9 1/2	8	(3)

ANSI DESIG.	PUMP SIZE	SUCT.	DISCH.	D	X	O.D.
A50	1 1/2X3X8	3	1 1/2	8 1/4	8 1/2	14 1/4
A60	2X3X8	3	2	8 1/4	9 1/2	14 1/4
A70	3X4X8	4	3	8 1/4	11	14 1/4
A05	1X2X10	2	1	8 1/4	8 1/2	14 1/4
A50	1 1/2X3X10	3	1 1/2	8 1/4	8 1/2	14 1/4
A60	2X3X10	3	2	8 1/4	9 1/2	17 1/4
A70	3X4X10	4	3	8 1/4	11	17 1/4
-	4X4X10	4(1)	4	8 1/4	12 1/2	17 1/4
A80	4X6X10	6(1)	4	10	13 1/2	22 1/4
A30	2X3X13	3	2	10	11 1/2	20 1/2
A40	3X4X13	4	3	10	12 1/2	20 1/2
A80	4X6X13	6(1)	4	10	13 1/2	22 1/4

MOTOR FRAME	A(5)	B	C	E	F(5)	H	O(5)	G
143JM	21 3/4	14 3/16	4	2 3/4	6	11/32	7 1/8	3 1/2
145JM	22 3/4		5					
182JM	24 1/8	14 15/16	4 1/2	3 3/4	7	13/32	9 3/16	4 1/2
184JM	25 1/8		5 1/2					
213JM	26 13/16	15 13/16	5 1/2	4 1/4	8 13/16	13/32	11 1/4	5 1/4
215JM	28 5/16		7					
254JM	29 7/8	16 5/16	8 1/4	5	10 7/16	17/32	13 1/2	6 1/4
256JM	31 5/8		10					
284JM	31 1/2	16 5/16	9 1/2	5 1/2	11 3/8	17/32	14 5/8	7
286JM	33		11					
324JM	33 1/2	16 13/16	10 1/2	6 1/4	13 5/16	21/32	16 11/16	8
326JM	35		12					

- NOTES:
1. RAISED SUCTION CONNECTION.
 2. 5/8-11 TAPPED HOLES 1" DEEP.
 3. 3/4-10 TAPPED HOLES 1" DEEP.
 4. ALL DIMENSIONS IN INCHES. FLANGES ARE 150LB. FLAT FACE.
 5. DIMENSIONS BASED ON GENERAL ELECTRIC TEFC MOTOR-MAY VARY WITH OTHER MFR.
 6. ROTATION IS COUNTERCLOCKWISE FACING SUCTION FLANGE
- WARNING: DO NOT OPERATE WITHOUT LIQUID IN PUMP. DO NOT OPERATE IN REVERSE ROTATION.**
7. ALL DIMENSIONS IN INCHES.
 8. FLANGES ARE ASME/ANSI B16.5 CLASS 150lb. FLAT FACE.

CUSTOMER
CUST. P.O.#
TAG:
FYBROC S/N

Fybrec Division		TELFDOR, PA 18969	
1530 SERIES GROUP 2		SCALE	DRAWN BY <i>823</i>
		~	APPROVED BY
TITLE OUTLINE DRAWING			
DATE 6/14/94	DRAWING NUMBER C 40100		REV.