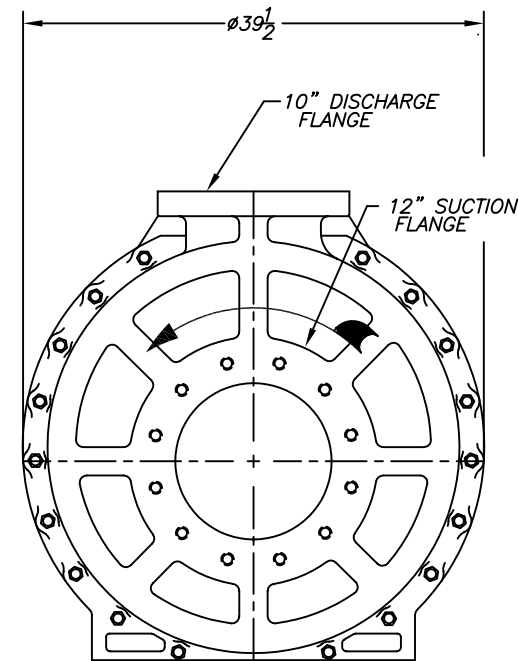
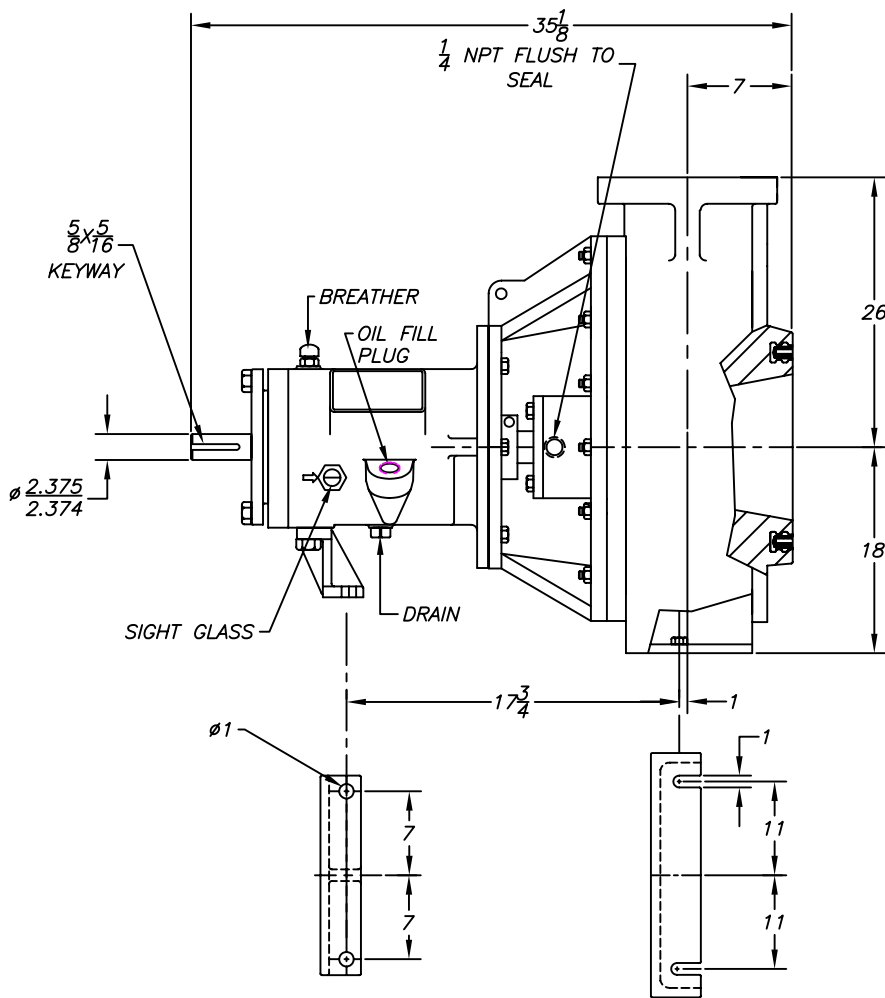


DATE	SYM	REVISION RECORD	AUTH.	DR.	CK.
8/27/92	A	REVISED & REDRAWN		823	



FLANGE	O.D.	THICK	BOLT CIRCLE	NO. OF HOLES	SIZE OF HOLES
10	16	2 1/4	14 1/4	12	1
12(1)	19	(1)	17	12	(2)

NOTES:

- (1) THREADED SUCTION CONNECTION.
- (2) 7/8-9 TAPPED HOLES X 1-1/4" DEEP
- (3) ALL DIMENSIONS IN INCHES
- (4) FLANGES ARE ASME/ANSI B16.5 CLASS 150lb. FLAT FACE.
- (5) ROTATION IS COUNTERCLOCKWISE FACING SUCTION FLANGE

**WARNING: DO NOT OPERATE WITHOUT LIQUID IN PUMP. DO NOT OPERATE IN REVERSE ROTATION.**

CUSTOMER
CUST. P.O.#
TAG:
FYBROC S/N

<b>Fybroc Division</b>		TELFORD, PA 18969
SCALE	DRAWN BY	823
~	APPROVED BY	
TITLE		
1500 10X12X16 OUTLINE DWG. PUMP ONLY		
DATE	DRAWING NUMBER	REV.
8/27/92	C41961	A