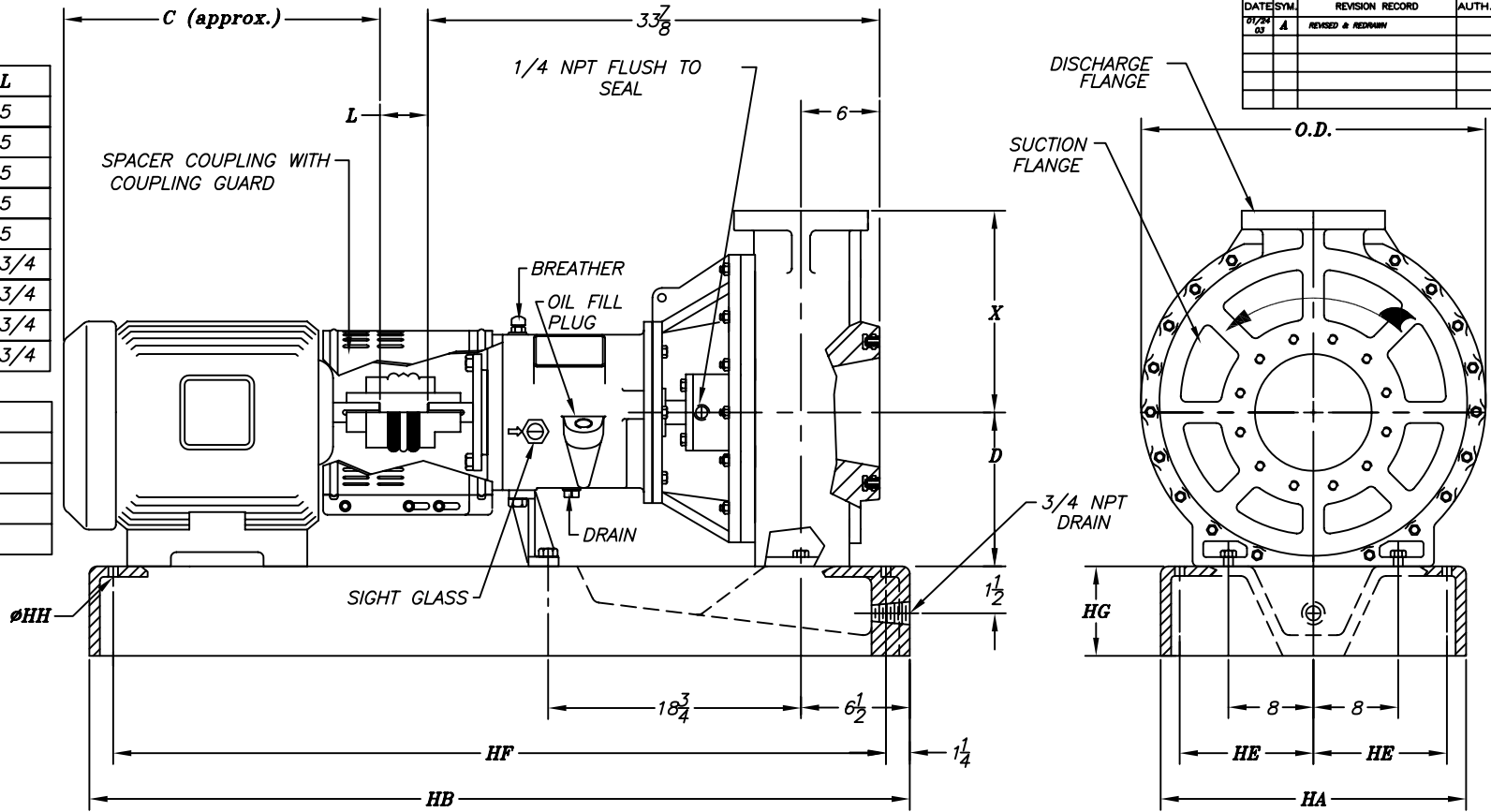


DATE	SYM.	REVISION RECORD	AUTH.	DR.	CHK.
01/24/03	A	REVISED & REDRAWN			823

MOTOR FRAME	C	L
254T/256T	25 1/2	5
284T/286T	27 5/8	5
324T/326T	29 11/16	5
364TS/365TS	31	5
364T/365T	33 1/8	5
404TS/405TS	35	7 3/4
404T/405T	38	7 3/4
444TS/445TS	42 1/8	7 3/4
444T/445T	46	7 3/4

MOTOR		
HP	RPM	
PH	HZ	VOLTS
ENCL.		
FRAME		



ANSI DESIG.	PUMP SIZE	SUCT.	DISCH.	D	X	O.D.	BASE PLATE	MOTOR FRAME
A90	6X8X13	8	6	14 1/2	16	27 3/4	5	254T-365T
							6	404TS-445T
A120	8X10X15	10	8	14 1/2	19	32 1/2	5	254T-365T
							6	404TS-445T

BASE PLATE	HA	HB	HE	HF	HG	HH
5	22	68	9 1/2	65 1/2	4 1/2	1
6	22	80	9 1/2	77 1/2	4 1/2	1

CUSTOMER
CUST. P.O.#
TAG:
FYBROC S/N

FLANGE	O.D.	THICK	BOLT CIRCLE	NO. OF HOLES	SIZE OF HOLES
6	11	1 1/2	9 1/2	8	7/8
8	13 1/2	1 3/4	11 3/4	8	7/8
8(1)	13 1/2	(1)	11 3/4	8	(2)
10(1)	16	(1)	14 1/4	12	(3)

NOTES:
 (1) THREADED SUCTION CONNECTION.
 (2) 3/4-10 TAPPED HOLES X 1" DEEP.
 (3) 7/8-9 TAPPED HOLES X 1 1/4" DEEP.
 (4) ALL DIMENSIONS IN INCHES.
 (5) FLANGESS ARE ASME/ANSI B16.5 CLASS 150lb. FLAT FACE.
 (6) ROTATION IS COUNTERCLOCKWISE FACING SUCTION FLANGE.
WARNING: DO NOT OPERATE WITHOUT LIQUID IN PUMP. DO NOT OPERATE IN REVERSE ROTATION.

SEE DWG. C40125 FOR PUMP ONLY

Fybroc Division		TELFORD, PA 18969	
1500 SERIES GROUP 3		SCALE 	DRAWN BY 823
TITLE OUTLINE DRAWING W/FRP BASE PLATE		APPROVED BY	
DATE 6/7/94	DRAWING NUMBER C 40126	REV. A	